

CASE STUDY

NUCLEAR POWER PLANT



MARCRRAFT
CUSTOM HVAC SYSTEMS

MARCRRAFT CUSTOM HVAC SYSTEMS PROVIDES A NUCLEAR POWER PLANT WITH 2 INDOOR COOLING HVAC SYSTEMS

APPLICATION:..... Nuclear Power Plant
LOCATION:.....Slovenia
CUSTOM HVAC SYSTEM SIZE:..... 40, 000 CFM PER UNIT

MARCRRAFT TOTAL SOLUTION

MarCraft provided HVAC systems for a nuclear power plant that has been in operation for over 30 years whom aims for adapting high professional and technical standards of nuclear technology, and has an objective to maintain a safe and stable operation.

Marcraft Custom HVAC Systems provided 2 indoor systems for the Nuclear power plant. The systems cool the Bus Ducts allowing the power plant to have an increase of output, helping maintain their operation goals.

NOTEWORTHY

- The power plant has been Operating for over 30 years.
- MarCraft's systems cool the bus ducts allowing for increased power plant output.
- Marcraft was able to complete the two systems in the client's tight deadline.



MARCRRAFT
CUSTOM HVAC SYSTEMS

(800) 325-1303

11880 Dorsett Road,
St. Louis, MO 63043

MarcraftHVAC.com

CASE STUDY NUCLEAR POWER PLANT

HVAC SYSTEMS SPECIFICS:

SYSTEM MATERIALS

BASE MATERIALS:

- Perimeter Channel – C6 x 8.2 Structural Steel
- Crossmember Channel – C4 x 5.4 w/ C6 x 8.2 Full Height as Required
- Underliner – 22 GA. Galvanized

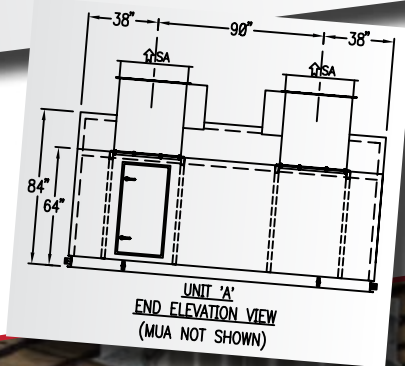
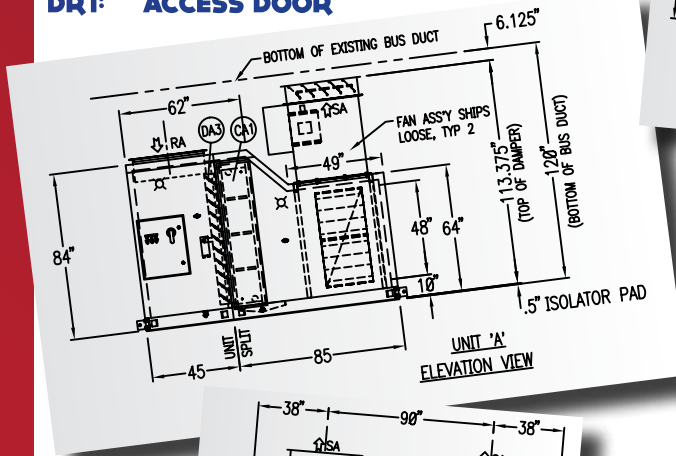
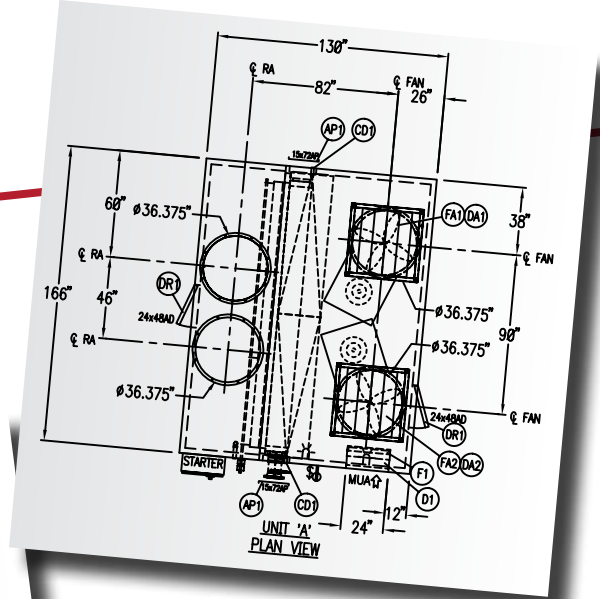
UPPER CASING MATERIALS

- Exterior Finish – Air-Dry Enamel in “MarCraft Grey”
- Exterior Liner – 18 GA Bonderized
- Interior Liner Panel – 16 GA Galvanized
- Insulation – 3” R-16.6 1.5# Unfaced Fiberglass Insulation
- Exterior Fasteners – Zinc Plated with Sealing Gaskets
- Interior Fasteners – Zinc Plated
- Exterior Sealant – Co-Polymer Adhesive Sealant
- Interior Sealant – Silicone Sealant

SPECIFICATIONS

- 40,000 CFM per unit
- Chilled water Cooling unit only
- Top RA inlets and SA outlets align with Bus Ducts
- 2 fans per unit with isolation dampers for redundant operation
- Complete factory installed control & electrical systems

- CB1: COOLING COILS**
CAT: COOLING COILS
CD1: COIL PAN DRAIN
AP1: COIL ACCESS PANEL
DR1: ACCESS DOOR



- F1: MUA INLET FILTER**
D1: MUA INLET DAMPER
DB3: COIL ISOLATION DAMPER
DA3: COIL ISOLATION DAMPER
DB2: FAN OUTLET BACKDRAFT DAMPER
DB1: FAN OUTLET BACKDRAFT DAMPER
DA2: FAN OUTLET BACKDRAFT DAMPER
DA1: FAN OUTLET BACKDRAFT DAMPER
FB2: SUPPLY FAN
FB1: SUPPLY FAN
FA2: SUPPLY FAN
FA1: SUPPLY FAN



MARCRRAFT
CUSTOM HVAC SYSTEMS

(800) 325-1303

11880 Dorsett Road,
St. Louis, MO 63043

MarcraftHVAC.com